



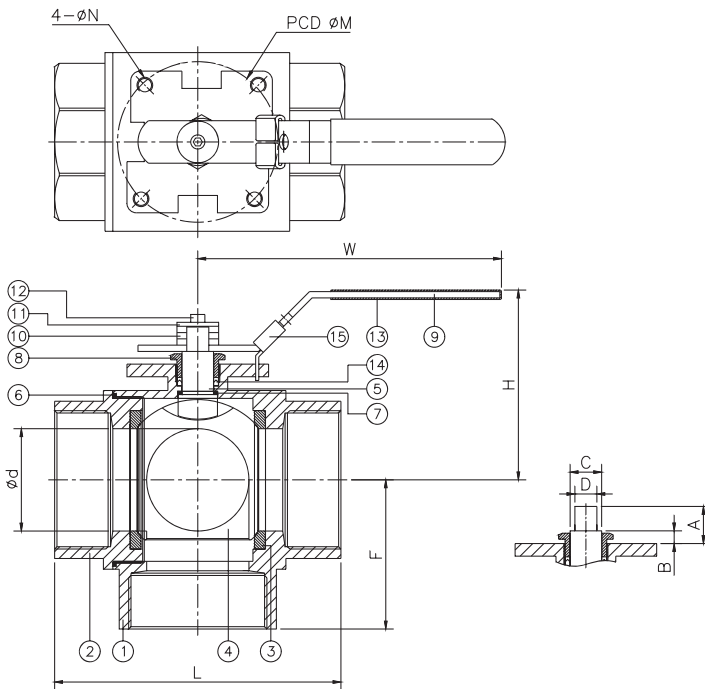
# 3-WAY SCREWED END SAMPLING VALVE

# 2058S



## FEATURES

- Reduced port, 1/4"~3" (DN8~DN80)
- W.P. : 1000 WOG (PN63)
- W.T. : -20°C~200°C (-4°F~392°F)
- Investment casting
- Blow-out proof stem
- Locking device
- Anti-static device (option)
- Tapped & drilled mounting pad (option)
- Thread type : ASME B1.20.1 (NPT)  
DIN2999 & BS21  
ISO7/1 & EN10226



ITEM	PARTS	MATERIAL
1	BODY	ASTM A351-CF8M
2	CAP	
3	SEAT	PTFE
4	BALL	ASTM A351-CF8M
5	STEM	AISI 316
6	SEAL	PTFE
7	THRUST WASHER	
8	GLAND NUT	AISI 304
9	HANDLE	
10	HANDLE WASHER	
11	WASHER	
12	HANDLE NUT	
13	HANDLE SLEEVE	PVC
14	PACKING	PTFE
15	LOCKING DEVICE	AISI 304

DN	d	A	B	C	D	W	H	F	L	M	N
8	11	10.9	5.9	12	9	133.4	62.7	29	57.2	36	M5*0.8
10	11	10.9	5.9	12	9	133.4	62.7	29	57.2	36	M5*0.8
15	12.5	10.9	5.9	12	9	133.4	64.7	34.5	66	36	M5*0.8
20	16	11.4	6.4	12	9	133.4	78.7	39.7	85.8	36	M5*0.8
25	20	11.4	6.4	12	9	133.4	71.2	46	88.5	42	M5*0.8
32	25.4	23.7	8.2	15	11	178.5	90.2	51.7	103.4	50	M6*1.0
40	31.8	23.7	8.2	15	11	178.5	93.7	61	111.1	50	M6*1.0
50	38.1	23.7	8.2	15	11	178.5	98.2	71.4	136.4	50	M6*1.0
80	65	23.5	8	20	14	265	138	94.7	182	70	M8*1.25

unit:mm

NPS	d	A	B	C	D	W	H	F	L	M	N
1/4"	0.43	0.43	0.23	0.47	0.35	5.25	2.47	1.14	2.25	1.42	M5*0.8
3/8"	0.43	0.43	0.23	0.47	0.35	5.25	2.47	1.14	2.25	1.42	M5*0.8
1/2"	0.49	0.43	0.23	0.47	0.35	5.25	2.55	1.36	2.6	1.42	M5*0.8
3/4"	0.63	0.45	0.25	0.47	0.35	5.25	3.1	1.56	3.38	1.42	M5*0.8
1"	0.79	0.45	0.25	0.47	0.35	5.25	2.8	1.81	3.48	1.65	M5*0.8
1-1/4"	1	0.93	0.32	0.59	0.43	7.03	3.55	2.04	4.07	1.97	M6*1.0
1-1/2"	1.25	0.93	0.32	0.59	0.43	7.03	3.69	2.4	4.37	1.97	M6*1.0
2"	1.5	0.93	0.32	0.59	0.43	7.03	3.87	2.81	5.37	1.97	M6*1.0
3"	2.56	0.93	0.31	0.79	0.55	10.43	5.43	3.73	7.17	2.76	M8*1.25

unit:in

8F., No.201, Sec. 2, Tiding Blvd., Neihu District, Taipei City 114, Taiwan R.O.C.  
 TEL : +886-2-2658-5800 FAX : +886-2-2658-2266 / 2799-7766

[Http://www.haitima.com.tw](http://www.haitima.com.tw)  
 E-mail : [haitima@seed.net.tw](mailto:haitima@seed.net.tw)