



# 2-PC. FLANGED END BALL VALVE

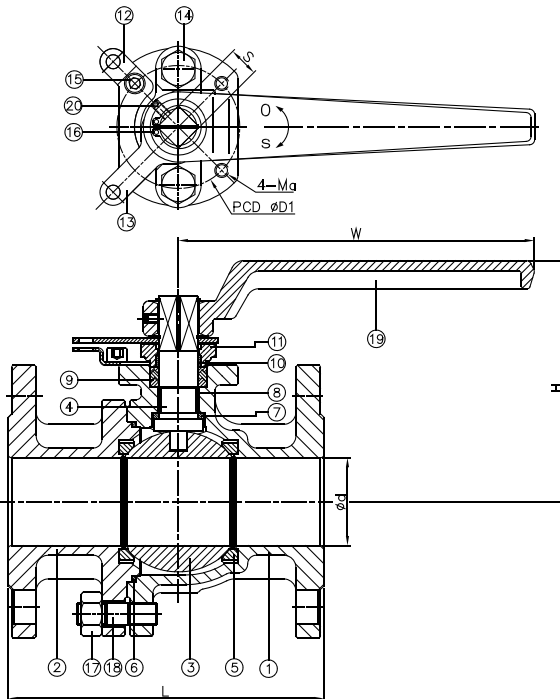
# 2020K

## FEATURES



- Full port, 1/2"~8" (DN15~DN200)
- W.P. : JIS 10K/20K
- W.T. : -20°C~200°C (-4°F~392°F)
- Investment casting
- Blow-out proof stem
- Anti-static device
- Locking device
- ISO 5211 Mounting pad

- Flange dimension: JIS B2220
- Face to face: JIS B2002



ITEM	PARTS	MATERIAL	
1	BODY	SCS14	SCS13
2	CAP		
3	BALL	SUS 316	
4	STEM	SUS 316	
5	SEAT	RTFE	
6	SEAL	RTFE	
7	THRUST WASHER A	PTFE	
8	THRUST WASHER B	PTFE	
9	PACKING A	PTFE	
10	PACKING B	PTFE	
11	GLAND	PTFE	
12	BRACKET	SUS 304	
13	STOPPER	SUS 304	
14	BOLT	SUS 304	
15	BOLT	SUS 304	
16	CIRCLIPS FOR SHAFTS	SUS 304	
17	NUT	SUS 304	
18	STUD	SUS 304	
19	HANDLE	SCW 410	
20	SOCKET SET SCREWS	SUS 304	

DN	d	L		H	W	S	D1	Ma
		JIS 10K	JIS 20K					
15	15	110	140	77	130	11	42	1/4"-20UNC
20	20	120	152	80	130	11	42	1/4"-20UNC
25	25	130	165	90	163	14	50	1/4"-20UNC
32	32	140	178	98.5	163	14	50	1/4"-20UNC
40	40	165	190	129	203	17	70	5/16"-18UNC
50	50	180	216	136	203	17	70	5/16"-18UNC
65	65	190	241	159	203	17	70	5/16"-18UNC
80	80	200	283	173.5	327	22	102	3/8"-16UNC
100	100	230	305	196	327	22	102	3/8"-16UNC

unit:mm

NPS	d	L		H	W	S	D1	Ma
		JIS 10K	JIS 20K					
1/2"	0.59	4.33	5.51	3.03	5.12	0.43	1.65	1/4"-20UNC
3/4"	0.79	4.72	5.98	3.15	5.12	0.43	1.65	1/4"-20UNC
1"	0.98	5.12	6.5	3.54	6.42	0.55	1.97	1/4"-20UNC
1-1/4"	1.26	5.51	7.01	3.88	6.42	0.55	1.97	1/4"-20UNC
1-1/2"	1.57	6.5	7.48	5.08	7.99	0.67	2.76	5/16"-18UNC
2"	1.97	7.09	8.5	5.35	7.99	0.67	2.76	5/16"-18UNC
2-1/2"	2.56	7.48	9.49	6.26	7.99	0.67	2.76	5/16"-18UNC
3"	3.15	7.87	11.14	6.83	12.87	0.87	4.02	3/8"-16UNC
4"	3.94	9.06	12.01	7.72	12.87	0.87	4.02	3/8"-16UNC

unit:in



8F, No.201, Sec. 2, Tiding Blvd., Neihu District, Taipei City 114, Taiwan R.O.C.  
 TEL: +886-2-2658-5800 FAX: +886-2-2658-2266 / 2799-7766

E-mail : [haitima@seed.net.tw](mailto:haitima@seed.net.tw)  
<http://www.haitima.com.tw>