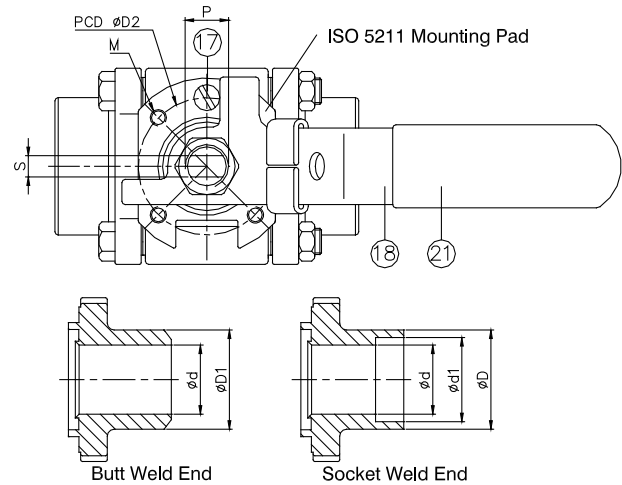
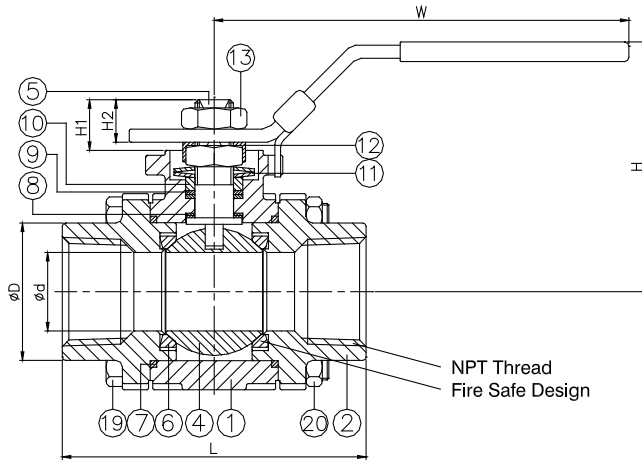


M 3-PC. SCREWED END BALL VALVE

2013KM

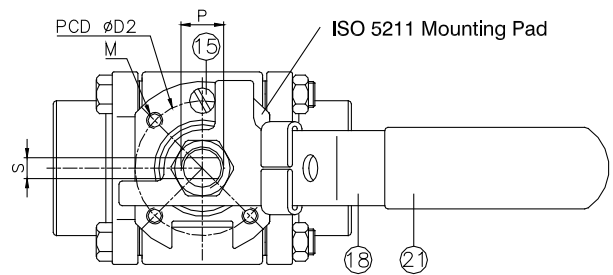
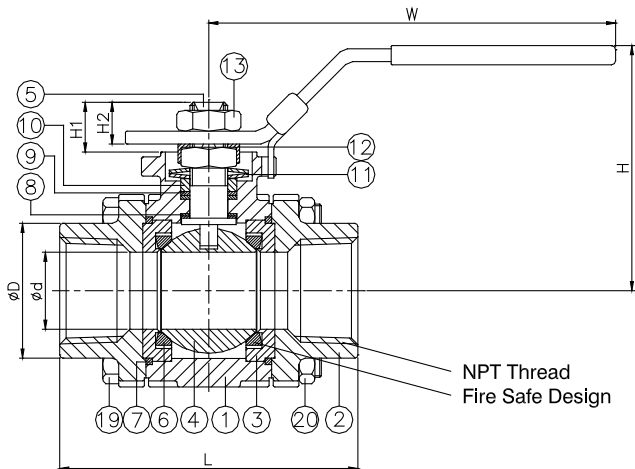


DN	d	d1	D	D1	L	H	H1	H2	W	S	D2	M	P	ISO 5211	Torque (N·M)
8	8	14	25	13.5	65.7	57	12.1	9.8	113.5	5.7	36	M5*0.8	3/8"-24UNF	F03	3.8
10	10	18	25	17.5	65.7	57	12.1	9.8	113.5	5.7	36	M5*0.8	3/8"-24UNF	F03	3.8
15	15	22	30.3	23.3	74.8	57	12.1	9.8	113.5	5.7	36	M5*0.8	3/8"-24UNF	F03	3.8
20	20	27.5	36	28.7	80.2	59.7	14.5	10.6	113.5	5.7	36	M5*0.8	3/8"-24UNF	F03	5.1

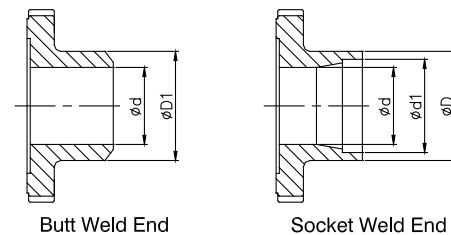
unit:mm

NPS	d	d1	D	D1	L	H	H1	H2	W	S	D2	M	P	ISO 5211	Torque (in-lb)
1/4"	0.31	0.55	0.98	0.53	2.59	2.24	0.48	0.39	4.5	0.22	1.42	M5*0.8	3/8"-24UNF	F03	33.8
3/8"	0.39	0.71	0.98	0.69	2.59	2.24	0.48	0.39	4.5	0.22	1.42	M5*0.8	3/8"-24UNF	F03	33.8
1/2"	0.59	0.87	1.2	0.92	2.94	2.24	0.48	0.39	4.5	0.22	1.42	M5*0.8	3/8"-24UNF	F03	33.8
3/4"	0.79	1.08	1.42	1.13	3.16	2.35	0.57	0.42	4.5	0.22	1.42	M5*0.8	3/8"-24UNF	F03	45.1

unit:in



Stem arrangement for actuator valves.



DN	d	d1	D	D1	L	H	H1	H2	W	S	D2	M	P	ISO 5211	Torque (N·M)
25	24	34.5	44.8	34.8	93	81.5	15.5	14	146	7.5	42	M5*0.8	7/16"-24UNF	F04	10.2
32	30	43	54	42.6	110.6	85.9	15.5	15	146	7.5	42	M5*0.8	7/16"-20UNF	F04	15.9
40	38	49	62	50	120	96.7	27.3	18.7	180	8.6	50	M6*1.0	9/16"-18UNF	F05	21
50	50	61.2	76	63.7	140	104.9	28.1	19	180	8.6	50	M6*1.0	9/16"-18UNF	F05	32.1

unit:mm

NPS	d	d1	D	D1	L	H	H1	H2	W	S	D2	M	P	ISO 5211	Torque (in-lb)
1"	0.94	1.36	1.76	1.37	3.66	3.21	0.61	0.55	5.75	0.3	1.65	M5*0.8	7/16"-24UNF	F04	90.2
1-1/4"	1.18	1.69	2.13	1.68	4.35	3.38	0.61	0.59	5.75	0.3	1.65	M5*0.8	7/16"-20UNF	F04	141
1-1/2"	1.5	1.93	2.44	1.97	4.72	3.81	1.07	0.74	7.09	0.34	1.97	M6*1.0	9/16"-18UNF	F05	186
2"	1.97	2.41	2.99	2.51	5.51	4.13	1.11	0.75	7.09	0.34	1.97	M6*1.0	9/16"-18UNF	F05	284.1

unit:in