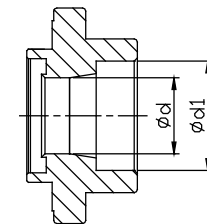
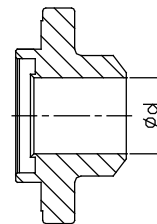
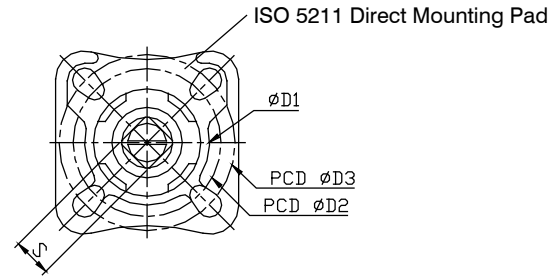
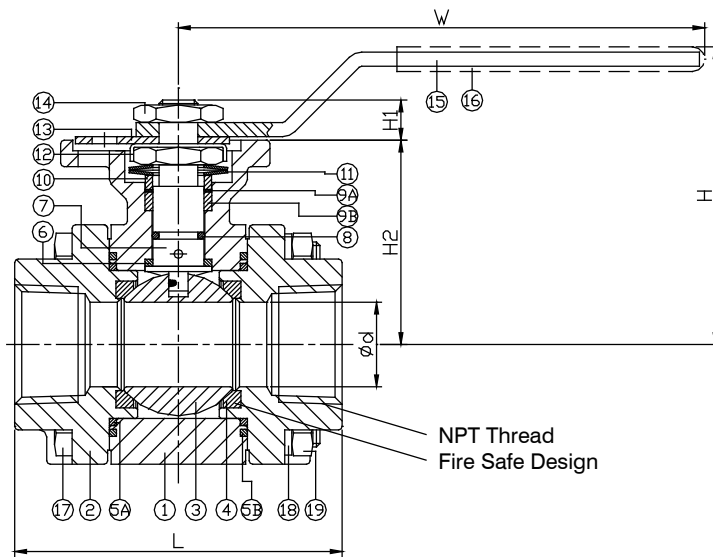




3-PC. SCREWED END BALL VALVE 2013KMD



Butt Weld End

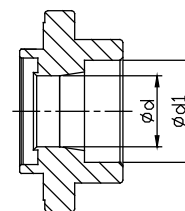
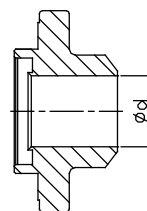
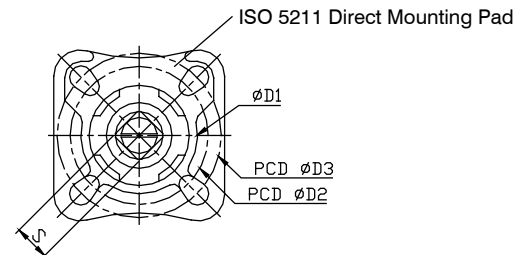
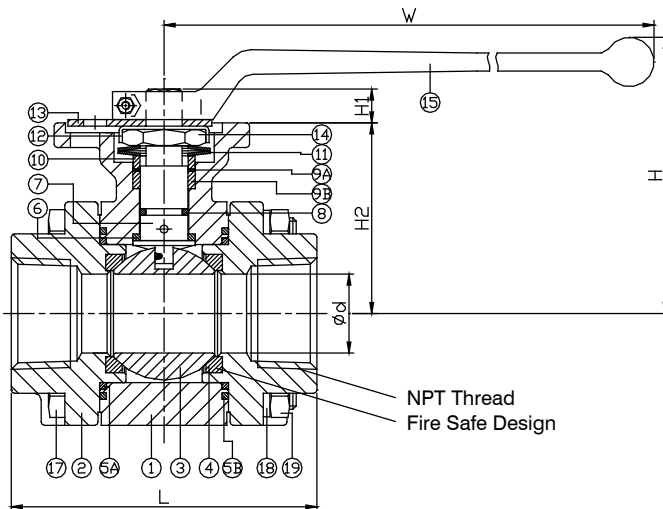
Socket Weld End

DN	d	d1	L	H	H1	H2	W	S	D1	D2	D3	Torque (N-M)
15	15	22	75	64	8.5	43	114.5	9	31	36	42	3.6
20	20	27.5	80	67	9	46	114.5	9	31	36	42	5.1
25	24	34.5	93	80.9	11	58	140	11	35.5	42	50	7.7

unit:mm

NPS	d	d1	L	H	H1	H2	W	S	D1	D2	D3	Torque (in-lb)
1/2"	0.59	0.87	2.95	2.52	0.33	1.69	4.51	0.35	1.22	1.42	1.65	31.9
3/4"	0.79	1.08	3.15	2.64	0.35	1.81	4.51	0.35	1.22	1.42	1.65	45.1
1"	0.94	1.36	3.66	3.19	0.43	2.28	5.51	0.43	1.4	1.65	1.97	68.2

unit:in



Butt Weld End

Socket Weld End

DN	d	d1	L	H	H1	H2	W	S	D1	D2	D3	Torque (N-M)
32	30	43	110	85.7	11	62.8	190	11	35.5	42	50	13.1
40	38	49	120	105.5	14	74.5	235	14	56	50	70	15.7
50	50	61.2	140	112.5	14	82	235	14	56	50	70	24.4

unit:mm

NPS	d	d1	L	H	H1	H2	W	S	D1	D2	D3	Torque (in-lb)
1-1/4"	1.18	1.69	4.33	3.37	0.43	2.47	7.48	0.43	1.4	1.65	1.97	115.9
1-1/2"	1.5	1.93	4.72	4.15	0.55	2.93	9.25	0.55	2.2	1.97	2.76	139
2"	1.97	2.41	5.51	4.43	0.55	3.23	9.25	0.55	2.2	1.97	2.76	216

unit:in

