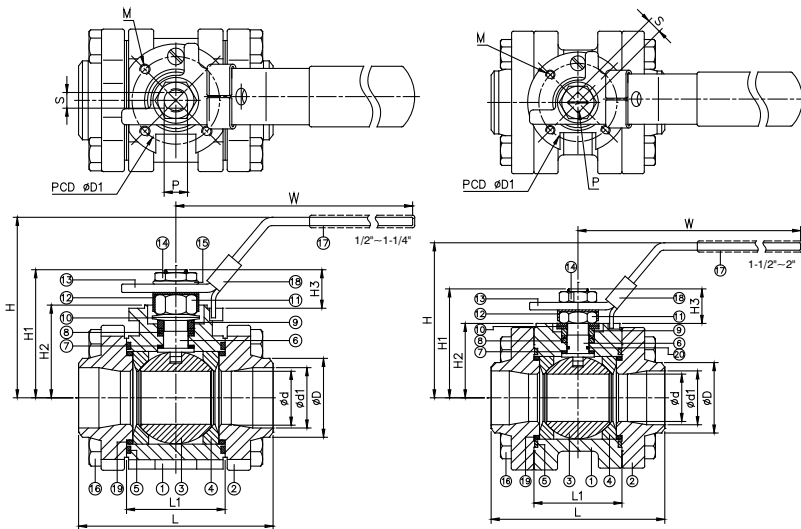


FEATURES



- Full port, 1/2"~2" (DN15~DN50)
- W.P. : 3000 WOG (PN200)
- W.T. : -20°C~260°C (-4°F~500°F)
- Investment casting
- Blow-out proof stem
- Live-loading design
- Anti-static device (option)
- Locking device
- ISO 5211 Mounting pad
- **ASME B16.34 Wall thickness**
- **NACE MR0175 (option)**

- Butt weld ends conform to ANSI B16.25 & DIN 3239 part 1



| ITEM | PARTS | MATERIAL |
|------|-------------------|---------------------------------|
| 1 | BODY | ASTM A351-CF8M |
| 2 | CAP | ASTM A351-CF3M |
| 3 | BALL | ASTM A351-CF8M |
| 4 | SEAT | PEEK / DELRIN |
| 5 | SEAL | RTFE |
| 6 | STEM | ASTM A276-316 |
| 7 | THRUST WASHER | PTFE / CTFE |
| 8 | PACKING | |
| 9 | GLAND RING | AISI 304 |
| 10 | BELLEVILLE WASHER | AISI 301 |
| 11 | STEM NUT | AISI 304 |
| 12 | LOCKING WASHER | |
| 13 | HANDLE | STAINLESS STEEL |
| 14 | HANDLE NUT | AISI 304 |
| 15 | SPRING WASHER | |
| 16 | BOLT | |
| 17 | HANDLE SLEEVE | PVC |
| 18 | LOCKING DEVICE | STAINLESS STEEL |
| 19 | O-RING | VITON / PTFE ENCAPSULATED VITON |
| 20 | O-RING | VITON |

- DELRIN SEAT MAX USING TEMPERATURE : 80°C

| DN | d | d1 | D | L | L1 | H | H1 | H2 | H3 | W | S | D1 | M | P | Torque (N-M) |
|----|------|-------|-------|-------|------|-------|------|------|------|-------|-----|----|----|-------------|--------------|
| 15 | 14.3 | 15.8 | 21.35 | 74.8 | 30.6 | 61.2 | 31.5 | 45.8 | 15.3 | 114.5 | 5.7 | 36 | M5 | 3/8"-24UNF | 8.8 |
| 20 | 20.7 | 20.9 | 26.65 | 80 | 37.8 | 81.5 | 39.8 | 55.1 | 16.8 | 147 | 7.5 | 42 | M5 | 7/16"-20UNF | 16.1 |
| 25 | 25.4 | 26.65 | 33.4 | 93 | 47 | 86.2 | 44.4 | 60 | 17 | 147 | 7.5 | 42 | M5 | 7/16"-20UNF | 16.1 |
| 32 | 31.5 | 35.05 | 42.15 | 109.5 | 54.3 | 96.3 | 45.5 | 73.6 | 29.6 | 178 | 8.6 | 50 | M6 | 9/16"-18UNF | 32.5 |
| 40 | 38 | 40.9 | 48.25 | 120 | 62.3 | 102.4 | 79.3 | 57.5 | 21.8 | 228 | 14 | 50 | M6 | M18X1.5 | 45.5 |
| 50 | 50.8 | 52.5 | 60.3 | 140 | 78.8 | 112.9 | 89.8 | 68 | 21.8 | 228 | 14 | 50 | M6 | M18X1.5 | 52 |

unit:mm

| NPS | d | d1 | D | L | L1 | H | H1 | H2 | H3 | W | S | D1 | M | P | Torque (in-lb) |
|--------|------|------|------|------|------|------|------|------|------|------|------|------|----|-------------|----------------|
| 1/2" | 0.56 | 0.62 | 0.84 | 2.94 | 1.2 | 2.41 | 1.24 | 1.8 | 0.6 | 4.51 | 0.22 | 1.42 | M5 | 3/8"-24UNF | 77.9 |
| 3/4" | 0.81 | 0.82 | 1.05 | 3.15 | 1.49 | 3.21 | 1.57 | 2.17 | 0.66 | 5.79 | 0.3 | 1.65 | M5 | 7/16"-20UNF | 142.5 |
| 1" | 1 | 1.05 | 1.31 | 3.66 | 1.85 | 3.39 | 1.75 | 2.36 | 0.67 | 5.79 | 0.3 | 1.65 | M5 | 7/16"-20UNF | 142.5 |
| 1-1/4" | 1.24 | 1.38 | 1.66 | 4.31 | 2.14 | 3.79 | 1.79 | 2.9 | 1.17 | 7.01 | 0.34 | 1.97 | M6 | 9/16"-18UNF | 287.6 |
| 1-1/2" | 1.5 | 1.61 | 1.9 | 4.72 | 2.45 | 4.03 | 3.12 | 2.26 | 0.86 | 8.98 | 0.55 | 1.97 | M6 | M18X1.5 | 402.7 |
| 2" | 2 | 2.07 | 2.37 | 5.51 | 3.1 | 4.44 | 3.54 | 2.68 | 0.86 | 8.98 | 0.55 | 1.97 | M6 | M18X1.5 | 460.2 |

unit:in