



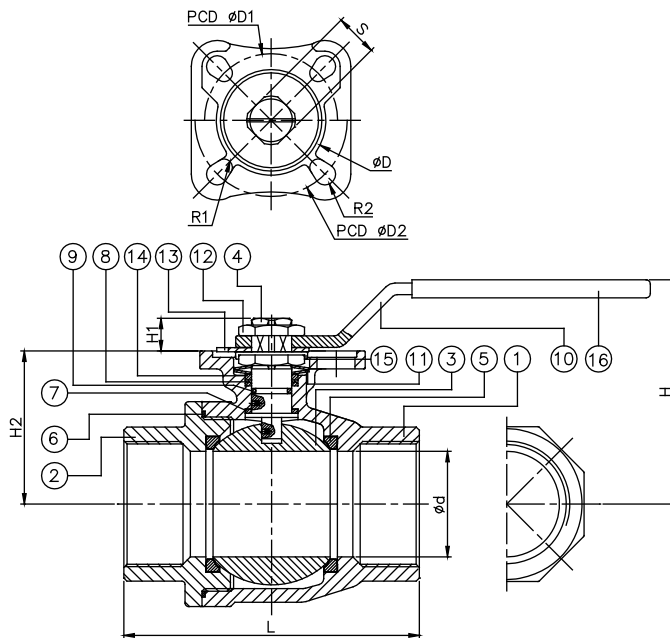
2-PC. SCREWED END BALL VALVE

2009D

FEATURES



- Full port, 1/4"~2" (DN8~DN50)
- W.P. : 1000 WOG (PN63)
- W.T. : -20°C~200°C (-4°F~392°F)
- Investment casting
- Blow-out proof stem
- Live-loading design
- Anti-static device
- Locking device
- ISO 5211 Direct mounting pad
- **ISO 15848 fugitive emission approved (option)**
- **Automation accessories (option)**
- Thread type : ASME B1.20.1 (NPT)
DIN2999 & BS21
ISO7/1 & EN10226



ITEM	PARTS	MATERIAL	
1	BODY	ASTM A351-CF8M	ASTM A216-WCB
2	CAP		
3	BALL	ASTM A351-CF8M	
4	STEM	ASTM A276-316	
5	SEAT	PTFE / RTFE	
6	SEAL	PTFE	
7	THRUST WASHER		
8	PACKING	VITON	
9	O-RING		
10	HANDLE	STAINLESS STEEL	
11	BELLEVILLE WASHER	AISI 301	
12	STEN NUT	AISI 304	
13	LOCKING DEVICE		
14	GLAND RING		
15	LOCKING WASHER	PVC	
16	HANDLE SLEEVE		

DN	d	L	H	H1	H2	S	D	D1	D2	R1	R2	ISO 5211	Torque (N-M)	Weight (kg)
8	8	75	64	8	39	9	31	36	42	2.75	2.75	F03/F04	3.6	0.5
10	10	75	64	8	39	9	31	36	42	2.75	2.75	F03/F04	3.6	0.5
15	15	75	64	8	39	9	31	36	42	2.75	2.75	F03/F04	3.6	0.5
20	20	80	70	8	44	9	31	36	42	2.75	2.75	F03/F04	6.5	0.6
25	25	90.5	74	9	47.5	11	35.5	42	50	2.75	3.5	F04/F05	9.5	1
32	32	110	80	12	53	11	35.5	42	50	2.75	3.5	F04/F05	11	1.5
40	38	120	98	13	64.5	14	56	50	70	3.5	4.5	F05/F07	13	2.3
50	50	140	107	13.5	73	14	56	50	70	3.5	4.5	F05/F07	52	3.6

unit:mm

NPS	d	L	H	H1	H2	S	D	D1	D2	R1	R2	ISO 5211	Torque (in-lb)	Weight (lb)
1/4"	0.31	2.95	2.52	0.31	1.54	0.35	1.22	1.42	1.65	0.11	0.11	F03/F04	31.9	1.1
3/8"	0.39	2.95	2.52	0.31	1.54	0.35	1.22	1.42	1.65	0.11	0.11	F03/F04	31.9	1.1
1/2"	0.59	2.95	2.52	0.31	1.54	0.35	1.22	1.42	1.65	0.11	0.11	F03/F04	31.9	1.1
3/4"	0.79	3.15	2.76	0.31	1.73	0.35	1.22	1.42	1.65	0.11	0.11	F03/F04	57.5	1.3
1"	0.98	3.56	2.91	0.35	1.87	0.43	1.4	1.65	1.97	0.11	0.14	F04/F05	84.1	2.2
1-1/4"	1.26	4.33	3.15	0.47	2.09	0.43	1.4	1.65	1.97	0.11	0.14	F04/F05	97.4	3.3
1-1/2"	1.5	4.72	3.86	0.51	2.54	0.55	2.2	1.97	2.76	0.14	0.18	F05/F07	115.1	5.1
2"	1.97	5.51	4.21	0.53	2.87	0.55	2.2	1.97	2.76	0.14	0.18	F05/F07	460.3	7.9

unit:in



8F, No.201, Sec. 2, Tiding Blvd., Neihu District, Taipei City 114, Taiwan R.O.C.
 TEL: +886-2-2658-5800 FAX: +886-2-2658-2266 / 2799-7766

E-mail : haitima@seed.net.tw
<http://www.haitima.com.tw>